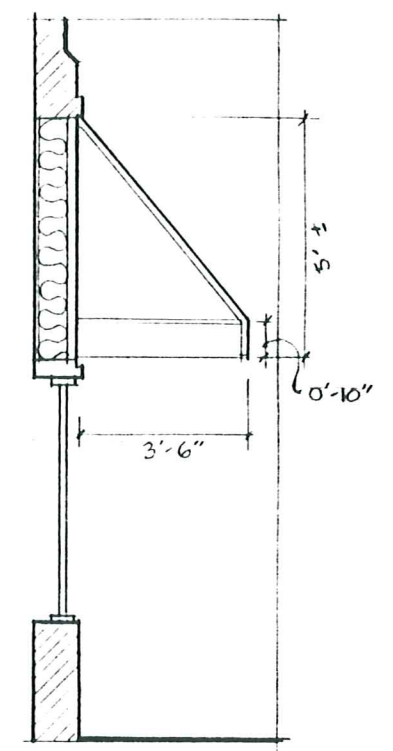




AWNING PROFILE:



Note: The Illinois MAIN STREET Program, through the Illinois Historic Preservation Agency, has provided this free design assistance to qualified property/business owners in the officially designated MAIN STREET project areas. The rendering on this sheet is a conceptual view of the facade renovation based on information supplied to the staff architect. Should obscured architectural details or problems be revealed during the work, the local project manager and/or the staff architect should be consulted.



Illinois MAIN STREET
 OFFICE OF LIEUTENANT GOVERNOR BOB KUSTRA
 Architectural Services: Illinois Historic Preservation Agency
 1 Old State Capitol Plaza/Springfield, Illinois 62701/217-782-9336

WCCI RADIO
 316 MAIN ST.
 SAVANNAH, IL

WEST ELEV.
 NOT TO SCALE

Drawn by: PEG	Project No. 9507
Date: 6-95	Sheet: Of: 1 1