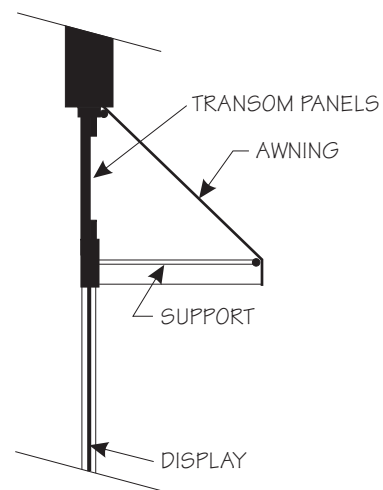




PROPOSED DESIGN



EXISTING CONDITION



AWNING SECTION:

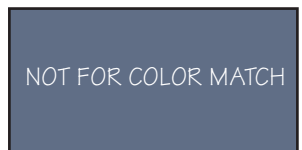
PAINT COLORS:



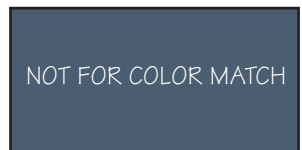
GLIDDEN: GRAND CANYON
(20YY 49/271)



GLIDDEN: COPPER PENNY
(90YR 23/274)



GLIDDEN: BLUE HERON
(50BB 13/104)



GLIDDEN: FEDERAL BLUE
(50BB 08/129)

NOTE: The Illinois MAIN STREET Program, through the Illinois Historic Preservation Agency, has provided this free design assistance to qualified property/ business owners in the officially designated MAIN STREET project areas. The rendering on this sheet is a conceptual view of the facade renovation based on information supplied to the staff architect. Should obscured architectural details or problems be revealed during the work, the local project manager and/or the staff architect should be consulted.



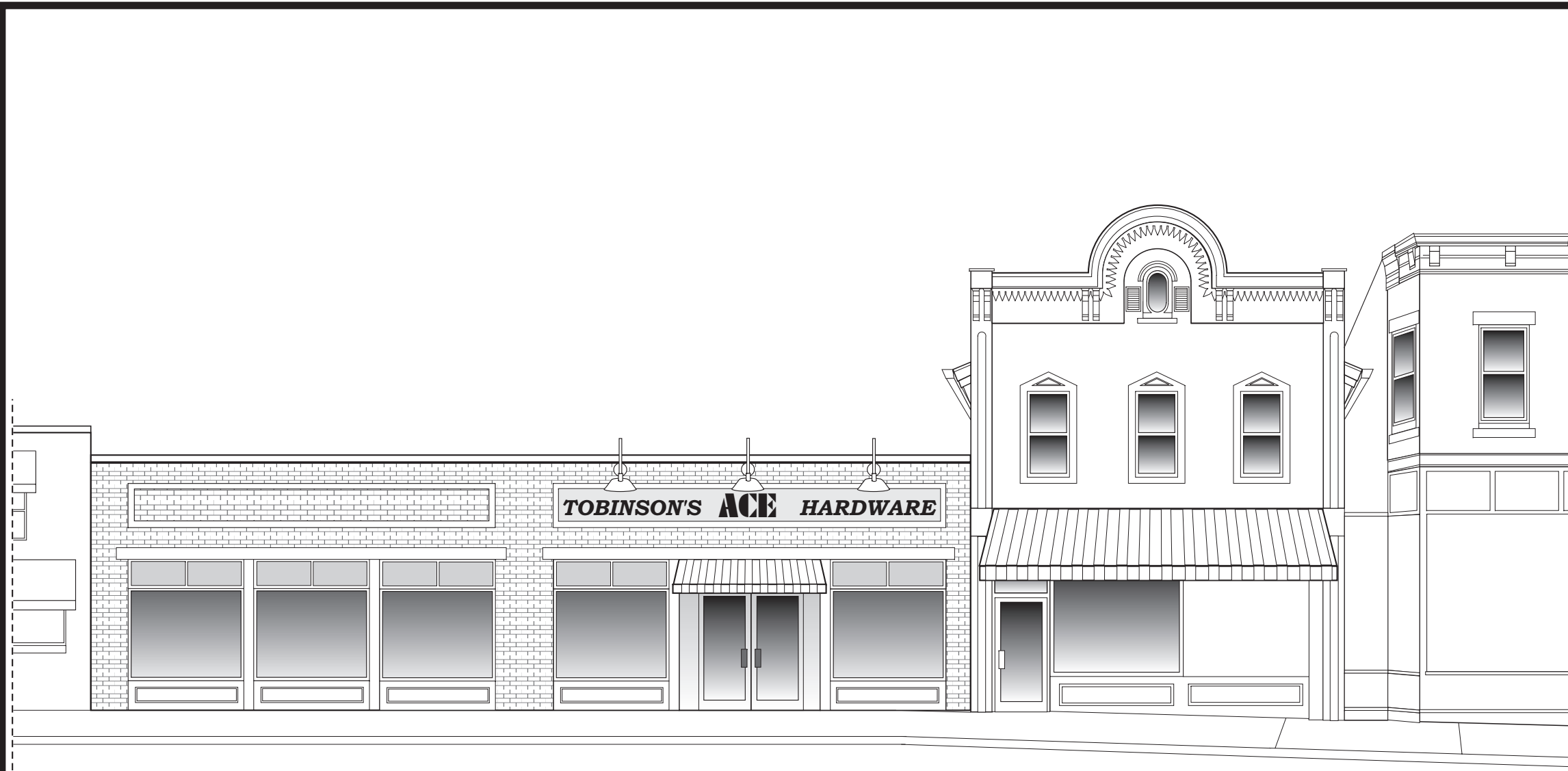
ILLINOIS MAIN STREET

OFFICE OF LIEUTENANT GOVERNOR BOB KUSTRA
Architectural Services: Illinois Historic Preservation Agency
1 Old State Capitol Plaza/Springfield, Illinois 62701/217-782-9336

TOBINSON'S
ACE HARDWARE
330 WEST MAIN STREET
GENOA, ILLINOIS

NORTH ELEVATION
NOT TO SCALE

Drawn By: BSL	Project No.: 96100
Date: 3 - 97	Sheet: Of: 1 2



PROPOSED ADDITION DESIGN

NOTE: The Illinois MAIN STREET Program, through the Illinois Historic Preservation Agency, has provided this free design assistance to qualified property/ business owners in the officially designated MAIN STREET project areas. The rendering on this sheet is a conceptual view of the facade renovation based on information supplied to the staff architect. Should obscured architectural details or problems be revealed during the work, the local project manager and/or the staff architect should be consulted.



ILLINOIS MAIN STREET
 OFFICE OF LIEUTENANT GOVERNOR BOB KUSTRA
 Architectural Services: **Illinois Historic Preservation Agency**
 1 Old State Capitol Plaza/Springfield, Illinois 62701/217-782-9336

**TOBINSON'S
 ACE HARDWARE**
 330 WEST MAIN STREET
 GENOA, ILLINOIS

NORTH ELEVATION
 NOT TO SCALE

Drawn By: BSL	Project No.: 96100
Date: 3 - 97	Sheet: Of: 2 2