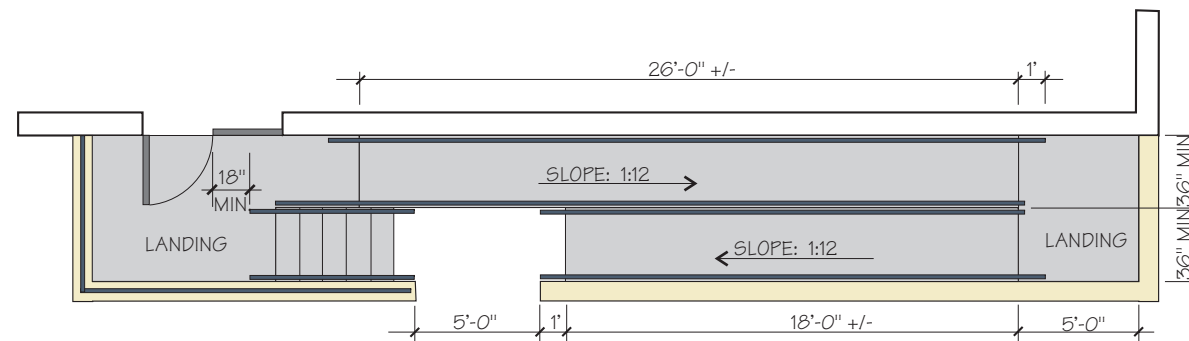


PROPOSED DESIGN

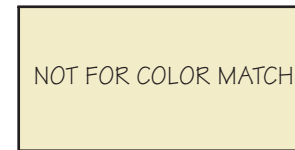


EXISTING CONDITION



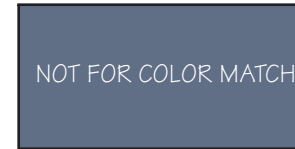
RAMP PLAN

PAINT COLORS:



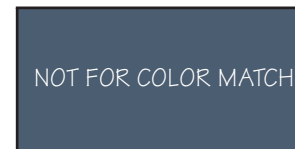
BASE:

GLIDDEN: COUNTRY CREAM
(40YY 72/164)



TRIM:

GLIDDEN: BLUE HERON
(50BB 13/104)



TRIM:

GLIDDEN: FEDERAL BLUE
(50BB 08/129)

NOTE: The Illinois MAIN STREET Program, through the Illinois Historic Preservation Agency, has provided this free design assistance to qualified property/ business owners in the officially designated MAIN STREET project areas. The rendering on this sheet is a conceptual view of the facade renovation based on information supplied to the staff architect. Should obscured architectural details or problems be revealed during the work, the local project manager and/or the staff architect should be consulted.



ILLINOIS MAIN STREET

OFFICE OF LIEUTENANT GOVERNOR BOB KUSTRA
Architectural Services: Illinois Historic Preservation Agency
1 Old State Capitol Plaza/Springfield, Illinois 62701/217-782-9336

TIME MACHINES
711 BELLE STREET
ALTON, ILLINOIS

EAST ELEVATION
NOT TO SCALE

Drawn By: BSL	Project No.: 9716
Date: 4 - 97	Sheet: Of: 1 1