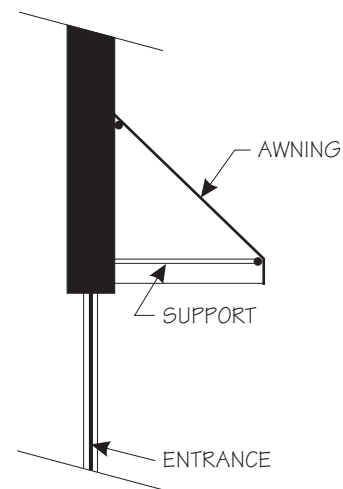


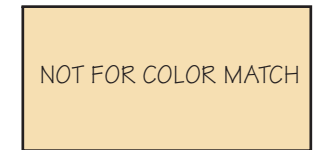


PROPOSED DESIGN



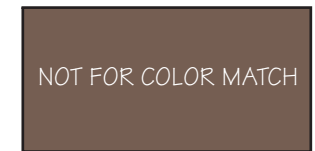
AWNING SECTION:

PAINT COLORS:



BASE:

GLIDDEN: LIGHT CAMEL  
(40YY 56/155)



TRIM:

GLIDDEN: CLEVELAND BROWN  
(80YR 09/163)



TRIM:

GLIDDEN: CAISSON GREEN  
(45YY 24/158)

AWNING:



SUNBRELLA:

TAUPE - 5 BAR  
(4907)

NOTE: The Illinois MAIN STREET Program, through the Illinois Historic Preservation Agency, has provided this free design assistance to qualified property/ business owners in the officially designated MAIN STREET project areas. The rendering on this sheet is a conceptual view of the facade renovation based on information supplied to the staff architect. Should obscured architectural details or problems be revealed during the work, the local project manager and/or the staff architect should be consulted.



**ILLINOIS MAIN STREET**

OFFICE OF LIEUTENANT GOVERNOR BOB KUSTRA  
Architectural Services: Illinois Historic Preservation Agency  
1 Old State Capitol Plaza/Springfield, Illinois 62701/217-782-9336

THRIFTWARE  
O'FALLON, ILLINOIS

SOUTH ELEVATION  
NOT TO SCALE

Drawn By:  
BSL

Project No.:  
9679

Date:  
1-97

Sheet: Of:  
1 1