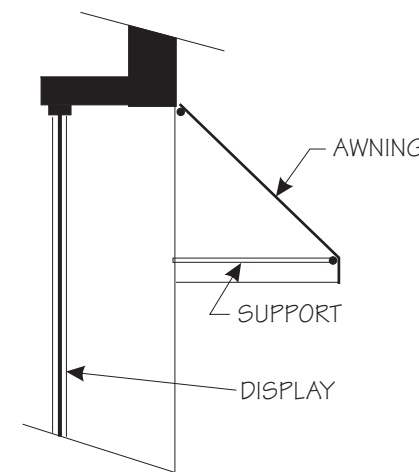




PROPOSED DESIGN

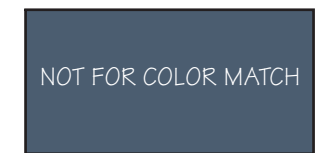


EXISTING CONDITION



AWNING SECTION:

PAINT COLORS:



BASE:

GLIDDEN: FEDERAL BLUE  
(50BB 08/129)



TRIM:

GLIDDEN: COLONIAL RED  
(10YR 09/250)



DETAILS:

GLIDDEN: COUNTRY CREAM  
(40YY 72/164)

NOTE: The Illinois MAIN STREET Program, through the Illinois Historic Preservation Agency, has provided this free design assistance to qualified property/ business owners in the officially designated MAIN STREET project areas. The rendering on this sheet is a conceptual view of the facade renovation based on information supplied to the staff architect. Should obscured architectural details or problems be revealed during the work, the local project manager and/or the staff architect should be consulted.



**ILLINOIS MAIN STREET**

OFFICE OF LIEUTENANT GOVERNOR BOB KUSTRA  
Architectural Services: Illinois Historic Preservation Agency  
1 Old State Capitol Plaza/Springfield, Illinois 62701/217-782-9336

**SWEET 'N' COUNTER**

321 MAIN STREET  
SAVANNA, ILLINOIS

**EAST ELEVATION**

NOT TO SCALE

Drawn By:

BSL

Project No.:

96115

Date:

2 - 97

Sheet: Of:

1 1