

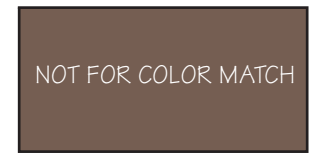


PROPOSED DESIGN

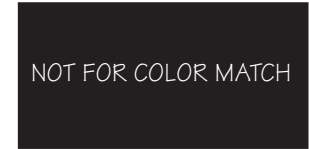


EXISTING CONDITION

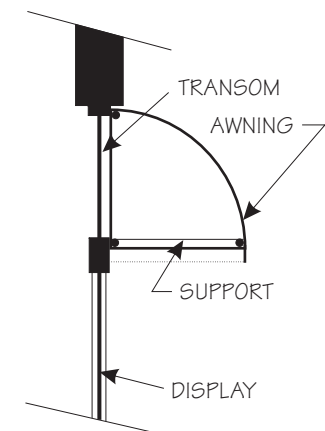
PAINT COLORS:



TRIM:
GLIDDEN: CLEVELAND BROWN
(80YR 09/163)



TRIM:
GLIDDEN: DARK SECRET
(00NN 05/000)



AWNING SECTION

NOTE: The Illinois MAIN STREET Program, through the Illinois Historic Preservation Agency, has provided this free design assistance to qualified property/ business owners in the officially designated MAIN STREET project areas. The rendering on this sheet is a conceptual view of the facade renovation based on information supplied to the staff architect. Should obscured architectural details or problems be revealed during the work, the local project manager and/or the staff architect should be consulted.



ILLINOIS MAIN STREET

OFFICE OF LIEUTENANT GOVERNOR BOB KUSTRA
Architectural Services: Illinois Historic Preservation Agency
1 Old State Capitol Plaza/Springfield, Illinois 62701/217-782-9336

SUBURBAN CANDID
WEDDING PHOTOGRAPHY
36 NORTH CASS
WESTMONT, ILLINOIS

EAST ELEVATION
NOT TO SCALE

Drawn By: BSL	Project No.: 9780
Date: 10 - 97	Sheet: Of: 1 1