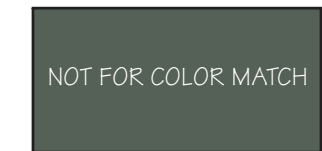


**PAINT COLORS:**



TRIM:

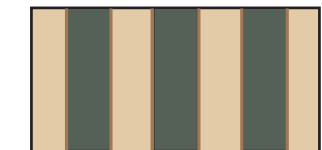
GLIDDEN: OYSTER WHITE  
(30YY 64/149)



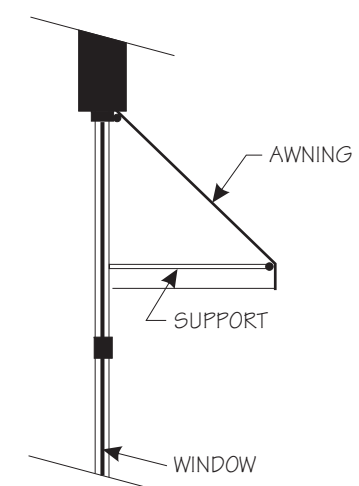
TRIM:

GLIDDEN: NEW ENGLAND  
GREEN  
(30GG 09/106)

**AWNING:**



SUNBRELLA: MOSS/CANVAS  
BLOCK STRIPE  
(4917)



**AWNING SECTION**



**EXISTING CONDITION**



**PROPOSED DESIGN**

NOTE: The Illinois MAIN STREET Program, through the Illinois Historic Preservation Agency, has provided this free design assistance to qualified property/ business owners in the officially designated MAIN STREET project areas. The rendering on this sheet is a conceptual view of the facade renovation based on information supplied to the staff architect. Should obscured architectural details or problems be revealed during the work, the local project manager and/or the staff architect should be consulted.



**ILLINOIS MAIN STREET**  
OFFICE OF LIEUTENANT GOVERNOR BOB KUSTRA  
*Architectural Services:* Illinois Historic Preservation Agency  
1 Old State Capitol Plaza/Springfield, Illinois 62701/217-782-9336

**SCOTT'S GARDEN CENTER**  
210 WEST STATE STREET  
O'FALLON, ILLINOIS

**SOUTH ELEVATION**  
NOT TO SCALE

Drawn By: BSL	Project No.: 9789
Date: 11 - 97	Sheet: Of: 1 1