



PROPOSED DESIGN



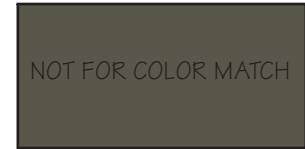
EXISTING CONDITION

PAINT COLORS:



BASE:

ICI PAINTS: RED BRICK
(50YR 09/244)



TRIM:

ICI PAINTS: GREEN PINON
(70YY 12/167)



TRIM:

ICI PAINTS: VIRGINIA VINE
(70YY 22/144)



TRIM:

ICI PAINTS: MANILLA TAN
(20YY 61/127)

NOTE: The Illinois MAIN STREET Program, through the Illinois Historic Preservation Agency, has provided this free design assistance to qualified property/ business owners in the officially designated MAIN STREET project areas. The rendering on this sheet is a conceptual view of the facade renovation based on information supplied to the staff architect. Should obscured architectural details or problems be revealed during the work, the local project manager and/or the staff architect should be consulted.



ILLINOIS MAIN STREET

OFFICE OF LIEUTENANT GOVERNOR BOB KUSTRA
Architectural Services: **Illinois Historic Preservation Agency**
1 Old State Capitol Plaza/Springfield, Illinois 62701/217-782-7459

SAV-MOR PHARMACY

123 WEST SALE
TUSCOLA, ILLINOIS

NORTH ELEVATION

NOT TO SCALE

Drawn By:

BSL

Project No.:

9753

Date:

2 - 98

Sheet: Of:

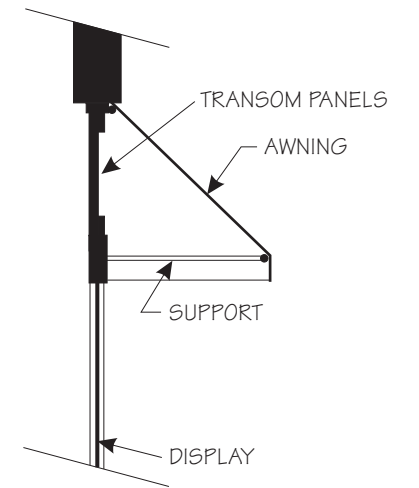
1 2



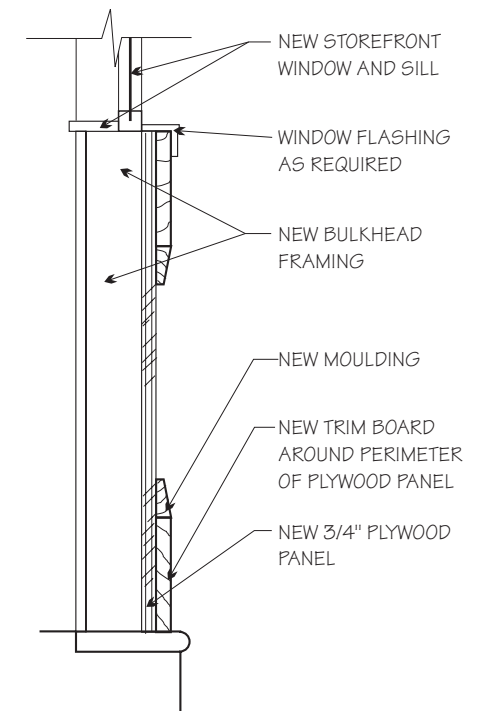
PROPOSED DESIGN WITH AWNINGS



EXISTING CONDITION



AWNING SECTION



BULKHEAD SECTION

NOTE: The Illinois MAIN STREET Program, through the Illinois Historic Preservation Agency, has provided this free design assistance to qualified property/ business owners in the officially designated MAIN STREET project areas. The rendering on this sheet is a conceptual view of the facade renovation based on information supplied to the staff architect. Should obscured architectural details or problems be revealed during the work, the local project manager and/or the staff architect should be consulted.



ILLINOIS MAIN STREET

OFFICE OF LIEUTENANT GOVERNOR BOB KUSTRA
 Architectural Services: Illinois Historic Preservation Agency
 1 Old State Capitol Plaza/Springfield, Illinois 62701/217-782-7459

SAV-MOR PHARMACY

123 WEST SALE
 TUSCOLA, ILLINOIS

NORTH ELEVATION

NOT TO SCALE

Drawn By:
BSL

Date:
2 - 98

Project No.:
9753

Sheet: Of:
2 2