

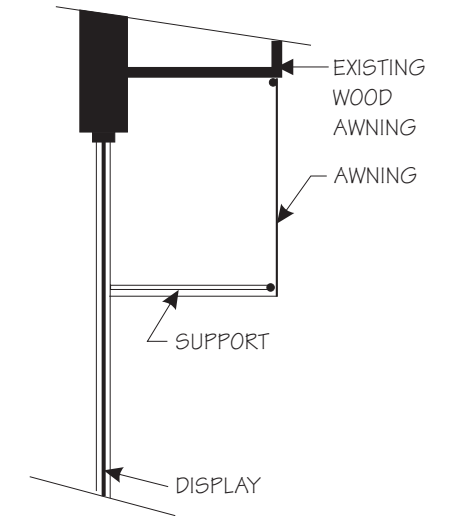


PROPOSED AWNING DESIGN 1

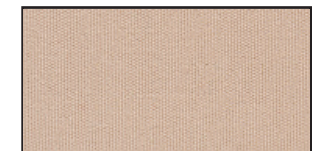


PROPOSED AWNING DESIGN 2

AWNING SECTION:

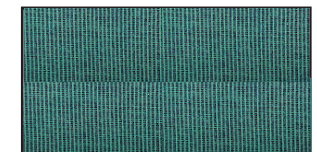


AWNING COLORS:



BASE:

SUNBRELLA: LINEN
(4633)



BASE:

SUNBRELLA: TEAL TWEED
(4650)

NOTE: The Illinois MAIN STREET Program, through the Illinois Historic Preservation Agency, has provided this free design assistance to qualified property/ business owners in the officially designated MAIN STREET project areas. The rendering on this sheet is a conceptual view of the facade renovation based on information supplied to the staff architect. Should obscured architectural details or problems be revealed during the work, the local project manager and/or the staff architect should be consulted.



ILLINOIS MAIN STREET

OFFICE OF LIEUTENANT GOVERNOR BOB KUSTRA
Architectural Services: Illinois Historic Preservation Agency
1 Old State Capitol Plaza/Springfield, Illinois 62701/217-782-9336

REFLECTIONS

119 WEST STATE STREET
O'FALLON, ILLINOIS

NORTH ELEVATION

NOT TO SCALE

Drawn By:

BSL

Project No.:

9658

Date:

12 - 96

Sheet: Of:

1 1