



PROPOSED DESIGN

PAINT COLORS:



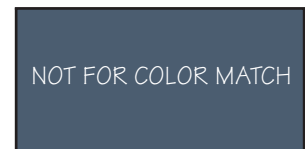
BASE:

GLIDDEN: DORIC CREAM
(20YY 53/238)



TRIM:

GLIDDEN: KHAKI GREEN
(60YY 33/130)



DETAILS:

GLIDDEN: MIDNIGHT HAZE
(90BG 08/112)



EXISTING CONDITION

NOTE: The Illinois MAIN STREET Program, through the Illinois Historic Preservation Agency, has provided this free design assistance to qualified property/ business owners in the officially designated MAIN STREET project areas. The rendering on this sheet is a conceptual view of the facade renovation based on information supplied to the staff architect. Should obscured architectural details or problems be revealed during the work, the local project manager and/or the staff architect should be consulted.



ILLINOIS MAIN STREET

OFFICE OF LIEUTENANT GOVERNOR BOB KUSTRA
Architectural Services: Illinois Historic Preservation Agency
1 Old State Capitol Plaza/Springfield, Illinois 62701/217-782-9336

PROPHETSTOWN AUTO SUPPLY

314 WASHINGTON
PROPHETSTOWN, ILLINOIS

EAST ELEVATION
NOT TO SCALE

Drawn By:

BSL

Project No.:

9758

Date:

8 - 97

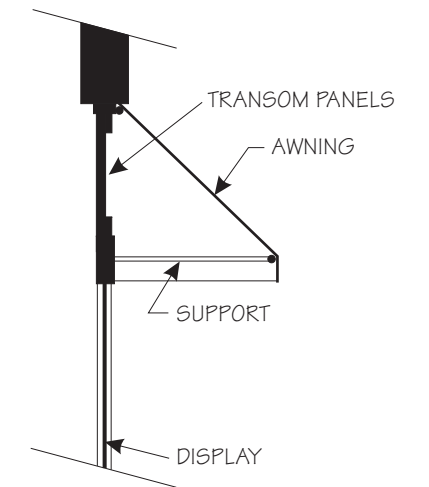
Sheet: Of:

1 2



PROPOSED AWNING DESIGN

AWNING SECTION:



AWNING:



SUNBRELLA:

SAPPHIRE BLUE/WHITE
(4803)

NOTE: The Illinois MAIN STREET Program, through the Illinois Historic Preservation Agency, has provided this free design assistance to qualified property/ business owners in the officially designated MAIN STREET project areas. The rendering on this sheet is a conceptual view of the facade renovation based on information supplied to the staff architect. Should obscured architectural details or problems be revealed during the work, the local project manager and/or the staff architect should be consulted.



ILLINOIS MAIN STREET

OFFICE OF LIEUTENANT GOVERNOR BOB KUSTRA
Architectural Services: Illinois Historic Preservation Agency
1 Old State Capitol Plaza/Springfield, Illinois 62701/217-782-9336

PROPHETSTOWN AUTO SUPPLY

314 WASHINGTON
PROPHETSTOWN, ILLINOIS

EAST ELEVATION
NOT TO SCALE

Drawn By:

BSL

Project No.:

9758

Date:

8 - 97

Sheet: Of:

2 2