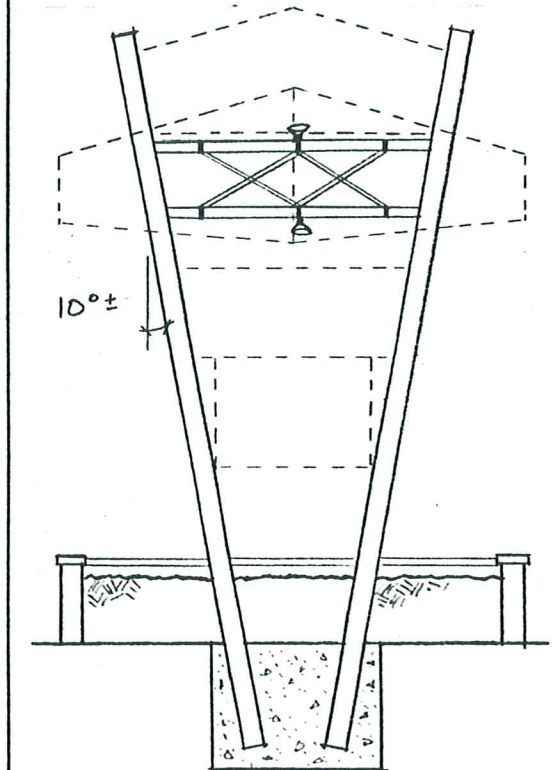
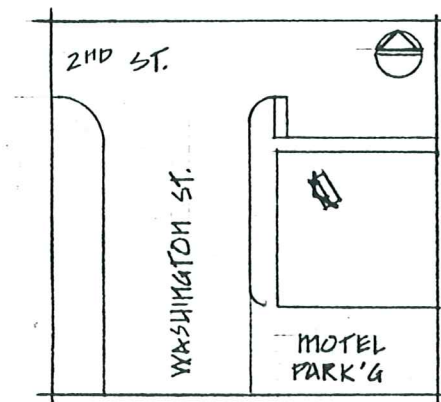


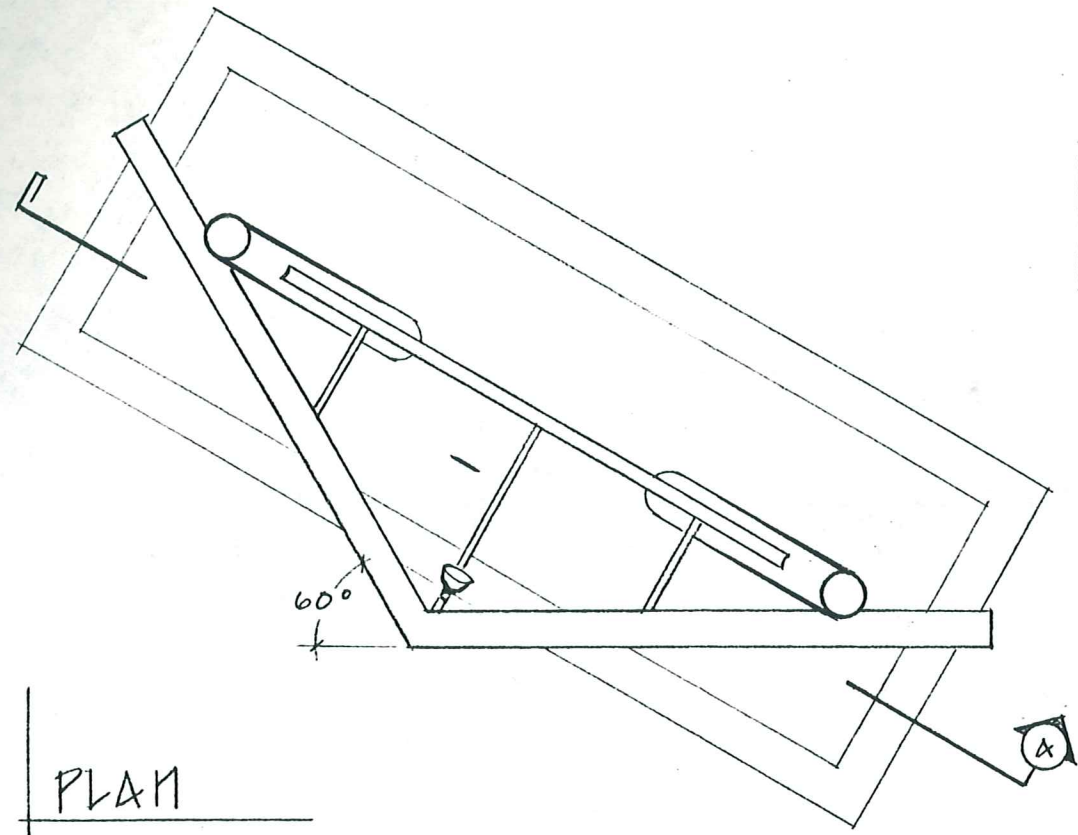
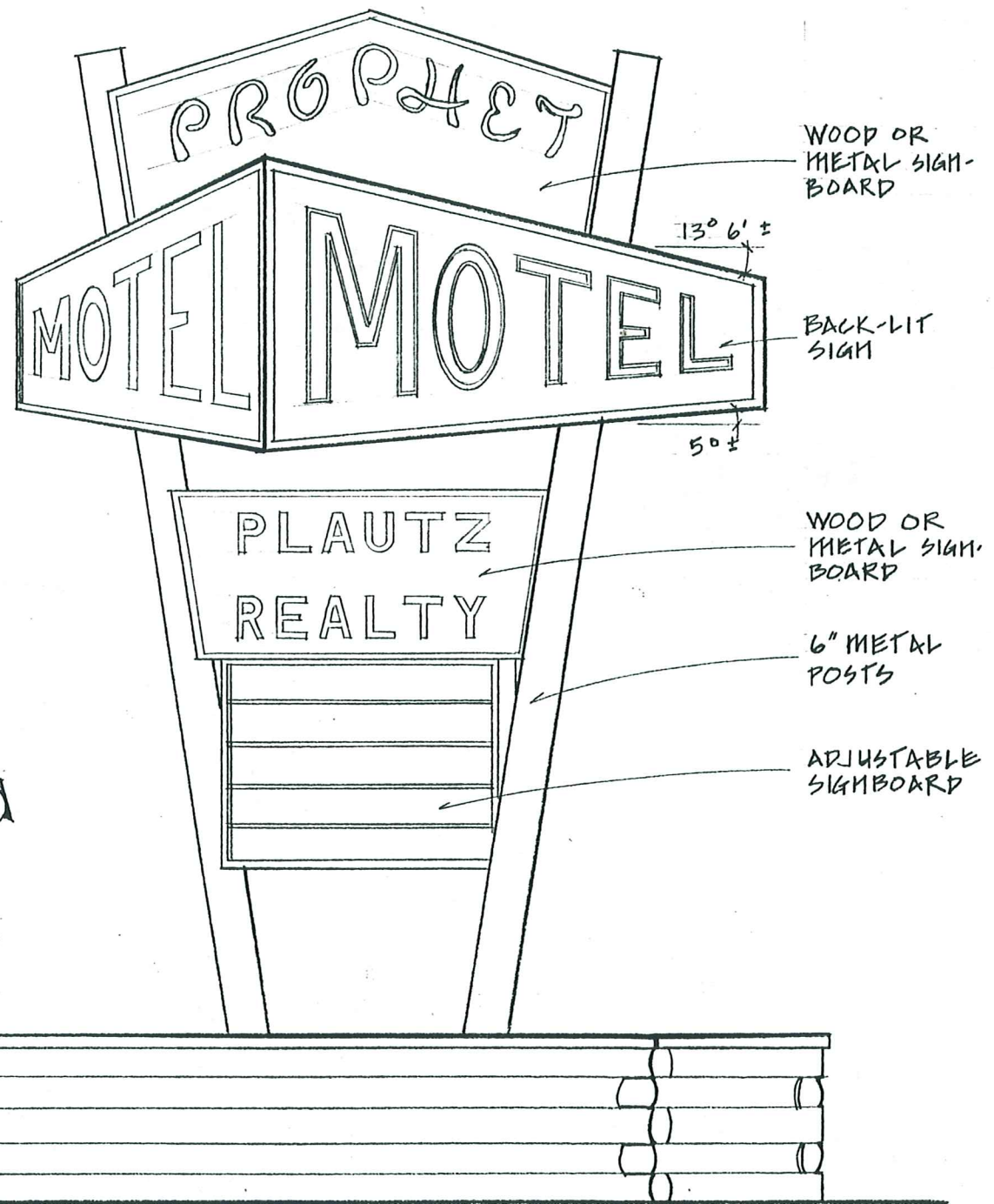
SECTION A:



SITE MAP:

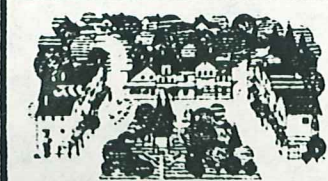
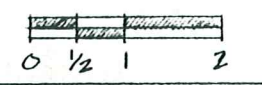


Note: The Illinois MAIN STREET Program, through the Illinois Historic Preservation Agency, has provided this free design assistance to qualified property/business owners in the officially designated MAIN STREET project areas. The rendering on this sheet is a conceptual view of the facade renovation based on information supplied to the staff architect. Should obscured architectural details or problems be revealed during the work, the local project manager and/or the staff architect should be consulted.



PLAN

SIDE ELEV.

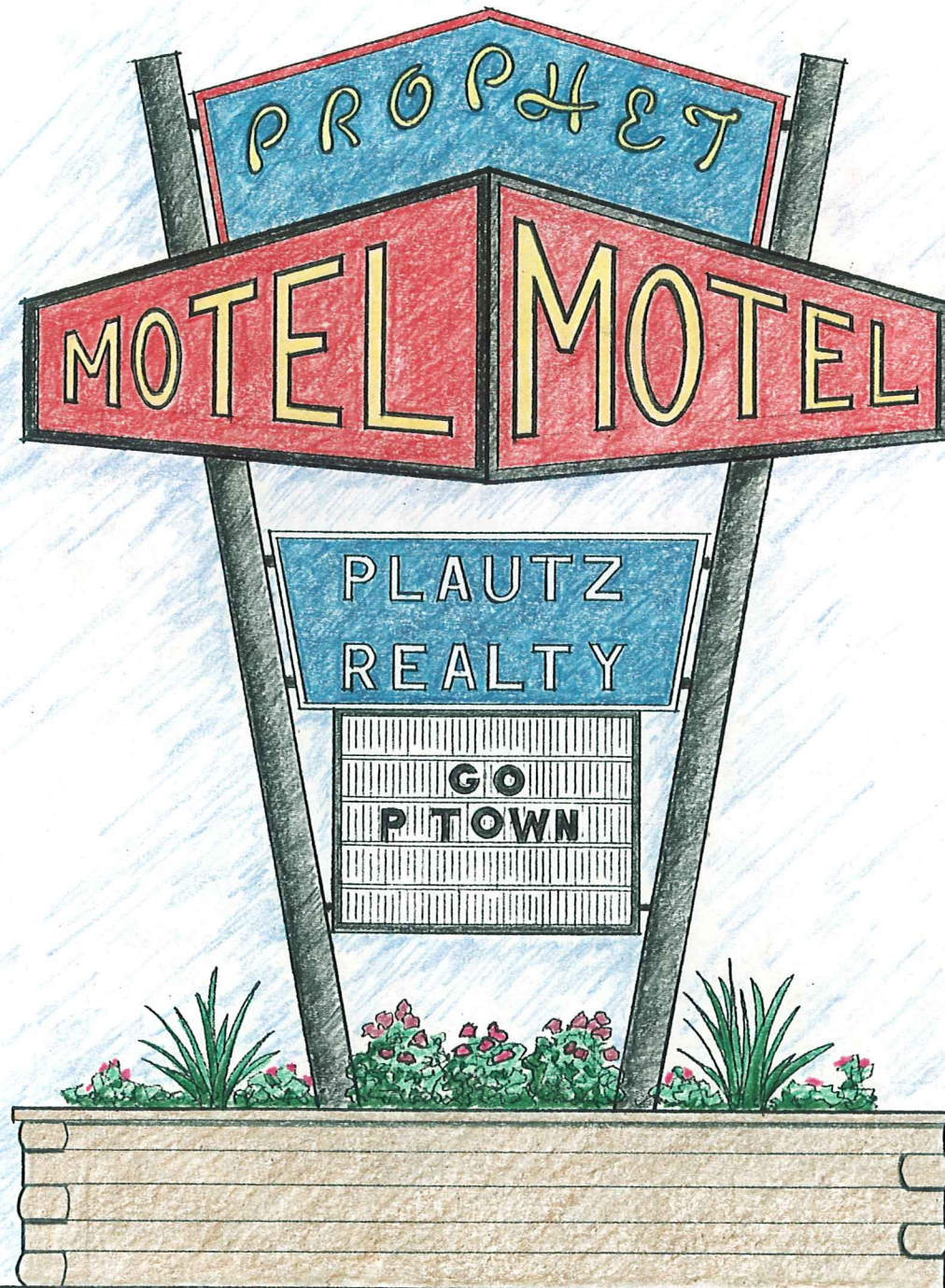


**Illinois MAIN STREET**  
 OFFICE OF LIEUTENANT GOVERNOR BOB KUSTRA  
 Architectural Services: Illinois Historic Preservation Agency  
 1 Old State Capitol Plaza/Springfield, Illinois 62701/217-782-9336

**PROPHET MOTEL**  
 201-211 WASHINGTON  
 PROPHETSTOWN, IL

**SIGN**  
 SCALE: AS SHOWN

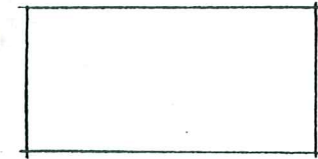
Drawn by:	Project No.
DEG	9425
Date:	Sheet: Of:
3-95	1 2



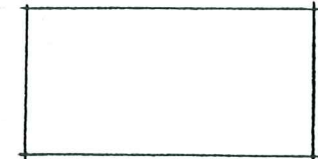
FRONT ELEV.

SIGN COLORS:

BASE 1:



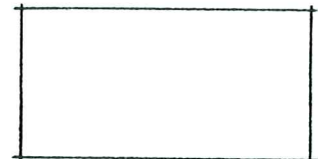
BASE 2:



LETTER 1:



LETTER 2:



OUTLINE:



Note: The Illinois MAIN STREET Program, through the Illinois Historic Preservation Agency, has provided this free design assistance to qualified property/business owners in the officially designated MAIN STREET project areas. The rendering on this sheet is a conceptual view of the facade renovation based on information supplied to the staff architect. Should obscured architectural details or problems be revealed during the work, the local project manager and/or the staff architect should be consulted.



**Illinois MAIN STREET**  
 OFFICE OF LIEUTENANT GOVERNOR BOB KUSTRA  
 Architectural Services: Illinois Historic Preservation Agency  
 1 Old State Capitol Plaza/Springfield, Illinois 62701/217-782-9336

**PROPHET MOTEL**  
 201-211 WASHINGTON  
 PROPHETSTOWN, IL

**SIGN**  
 SCALE: AS SHOWN

Drawn by:	Project No.
PEG	9925
Date:	Sheet: Of:
3:95	2 2