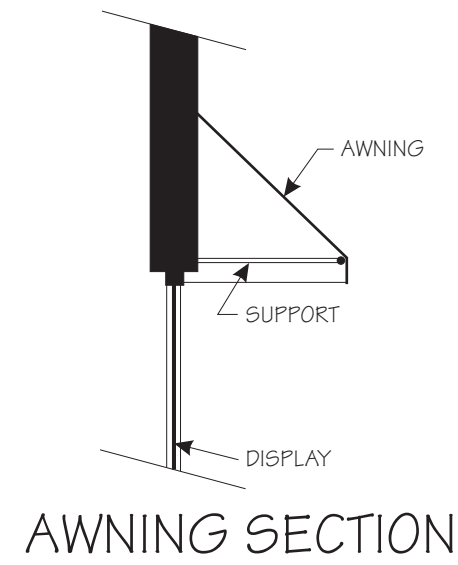




PROPOSED DESIGN



AWNING SECTION



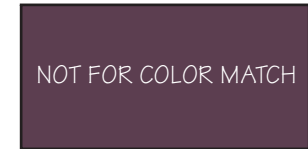
SIGN DESIGN

PAINT COLORS:



TRIM:

ICI: CAMEL TAN
(20YY 41/165)



TRIM:

ICI: BLACK TULIP
(30RB 07/107)



TRIM:

ICI: TAVERN GREEN
(50GG 05/063)



EXISTING CONDITION

NOTE: The Illinois MAIN STREET Program, through the Illinois Historic Preservation Agency, has provided this free design assistance to qualified property/ business owners in the officially designated MAIN STREET project areas. The rendering on this sheet is a conceptual view of the facade renovation based on information supplied to the staff architect. Should obscured architectural details or problems be revealed during the work, the local project manager and/or the staff architect should be consulted.



ILLINOIS MAIN STREET

OFFICE OF LIEUTENANT GOVERNOR BOB KUSTRA
Architectural Services: Illinois Historic Preservation Agency
1 Old State Capitol Plaza/Springfield, Illinois 62701/217-782-7459

PRAIRIE STATE MERCANTILE

217 WEST MAIN STREET
GENOA, ILLINOIS

SOUTH ELEVATION

NOT TO SCALE

Drawn By:

BSL

Project No.:

97123

Date:

2 - 98

Sheet: Of:

1 1