

PROPOSED DESIGN SCHEME 1

PAINT COLORS:

NOT FOR COLOR MATCH

TRIM:

GLIDDEN: BILLIARD
(10GG 10/208)

NOT FOR COLOR MATCH

TRIM:

GLIDDEN: TOBACCO ROAD
(80YR 13/227)

NOT FOR COLOR MATCH

TRIM:

GLIDDEN: THE BEACH
(20YY 57/178)

NOT FOR COLOR MATCH

TRIM:

GLIDDEN: FEDERAL BLUE
(50BB 08/129)

NOTE: The Illinois MAIN STREET Program, through the Illinois Historic Preservation Agency, has provided this free design assistance to qualified property/ business owners in the officially designated MAIN STREET project areas. The rendering on this sheet is a conceptual view of the facade renovation based on information supplied to the staff architect. Should obscured architectural details or problems be revealed during the work, the local project manager and/or the staff architect should be consulted.



ILLINOIS MAIN STREET

OFFICE OF LIEUTENANT GOVERNOR BOB KUSTRA
Architectural Services: Illinois Historic Preservation Agency
1 Old State Capitol Plaza/Springfield, Illinois 62701/217-782-9336

PAJA LAW OFFICE

116 SOUTH MAIN STREET
STOCKTON, ILLINOIS

SOUTH ELEVATION

NOT TO SCALE

Drawn By:

BSL

Project No.:

9634

Date:

11 - 96

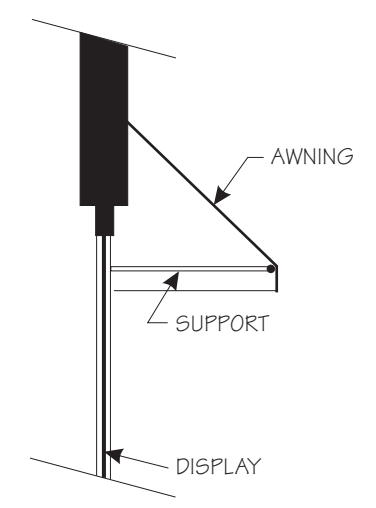
Sheet: Of:

1 2



PROPOSED DESIGN SCHEME 2

AWNING SECTION:



AWNING:



SUNBRELLA: CAPTAIN NAVY/
YELLOW/GREEN REGIMENTAL
(STYLE 4900)

SIGN DESIGNS:



NOTE: The Illinois MAIN STREET Program, through the Illinois Historic Preservation Agency, has provided this free design assistance to qualified property/ business owners in the officially designated MAIN STREET project areas. The rendering on this sheet is a conceptual view of the facade renovation based on information supplied to the staff architect. Should obscured architectural details or problems be revealed during the work, the local project manager and/or the staff architect should be consulted.



ILLINOIS MAIN STREET
OFFICE OF LIEUTENANT GOVERNOR BOB KUSTRA
Architectural Services: Illinois Historic Preservation Agency
1 Old State Capitol Plaza/Springfield, Illinois 62701/217-782-9336

PAJA LAW OFFICE
116 SOUTH MAIN STREET
STOCKTON, ILLINOIS

SOUTH ELEVATION
NOT TO SCALE

Drawn By: BSL	Project No.: 9634
Date: 11 - 96	Sheet: Of: 2 2