



PAINT COLORS:



BASE:

GLIDDEN: HAMMOCK GREEN
(70GG 19/189)



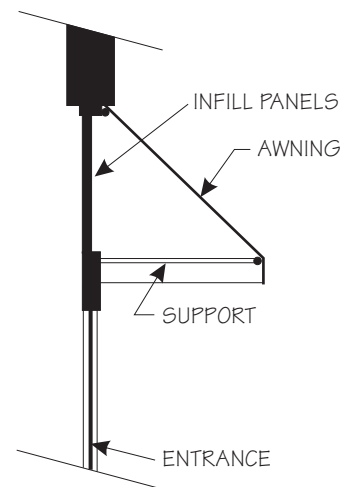
TRIM:

GLIDDEN: SAGEBRUSH
(40YY 50/177)

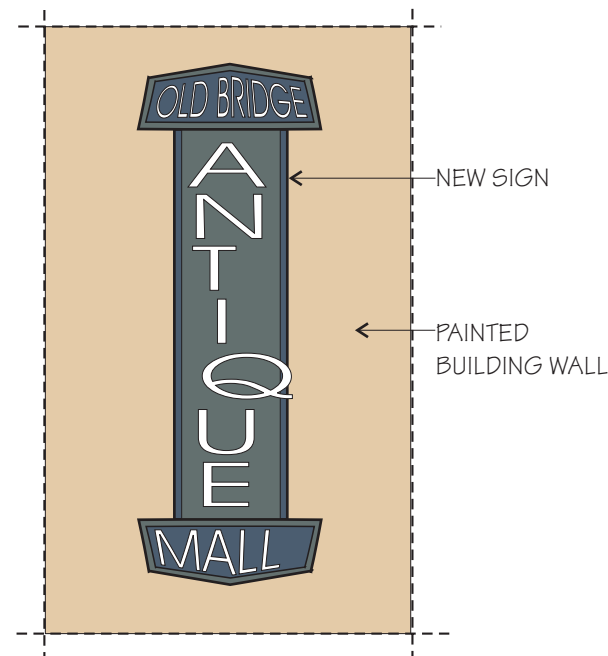
PROPOSED DESIGN



EXISTING CONDITION



AWNING SECTION



SIGN DESIGN
(EAST AND WEST ELEVATIONS)

NOTE: The Illinois MAIN STREET Program, through the Illinois Historic Preservation Agency, has provided this free design assistance to qualified property/ business owners in the officially designated MAIN STREET project areas. The rendering on this sheet is a conceptual view of the facade renovation based on information supplied to the staff architect. Should obscured architectural details or problems be revealed during the work, the local project manager and/or the staff architect should be consulted.



ILLINOIS MAIN STREET

OFFICE OF LIEUTENANT GOVERNOR BOB KUSTRA
Architectural Services: Illinois Historic Preservation Agency
1 Old State Capitol Plaza/Springfield, Illinois 62701/217-782-9336

OLD BRIDGE ANTIQUES

435 EAST BROADWAY
ALTON, ILLINOIS

NORTH ELEVATION

NOT TO SCALE

Drawn By:
BSL

Project No.:
9733

Date:
5 - 97

Sheet: Of:
1 1