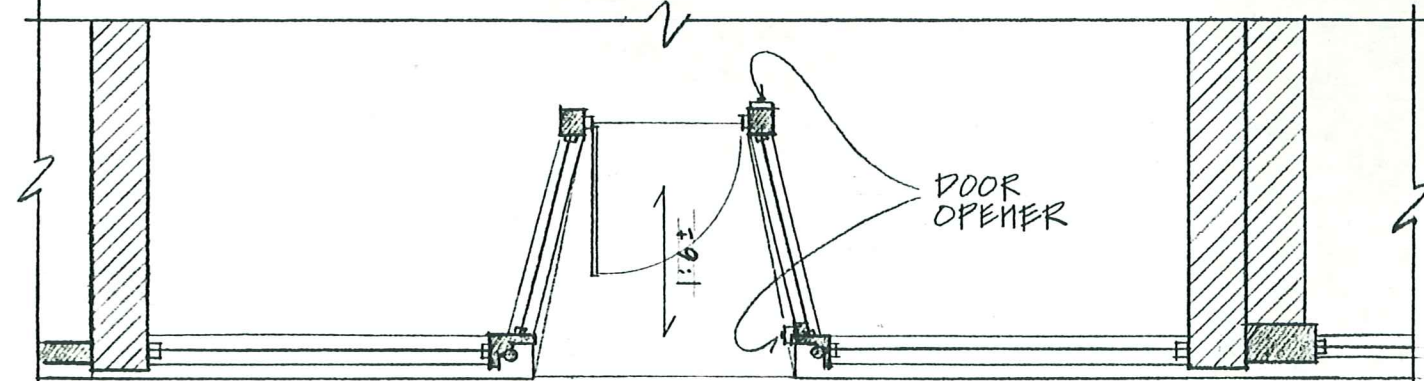


STOREFRONT ELEV.



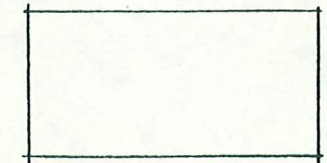
STOREFRONT PLAN



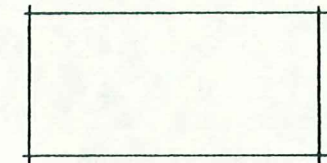
PAINT SCHEME

PAINT COLORS:

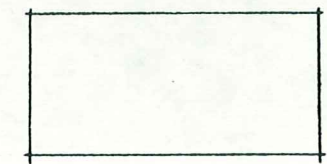
BASE:



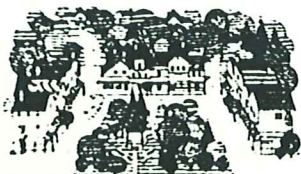
TRIM:



DETAILS:



Note: The Illinois MAIN STREET Program, through the Illinois Historic Preservation Agency, has provided this free design assistance to qualified property/business owners in the officially designated MAIN STREET project areas. The rendering on this sheet is a conceptual view of the facade renovation based on information supplied to the staff architect. Should obscured architectural details or problems be revealed during the work, the local project manager and/or the staff architect should be consulted.



Illinois MAIN STREET  
OFFICE OF LIEUTENANT GOVERNOR BOB KUSTRA  
Architectural Services: Illinois Historic Preservation Agency  
1 Old State Capitol Plaza/Springfield, Illinois 62701/217-782-9336

MACOMB JOURNAL  
11. WASHINGTON ST.  
MACOMB, IL

ENTRY & PAINT DESIGN  
NOT TO SCALE

Drawn by: DEG	Project No. 9991
Date: 4-95	Sheet: Of: 1 1