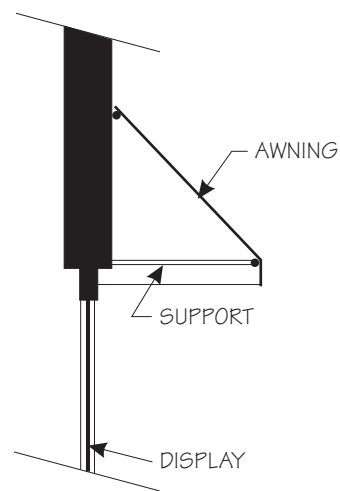




PROPOSED DESIGN

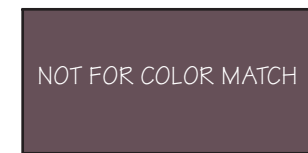


EXISTING CONDITION



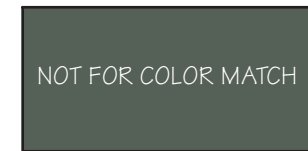
AWNING SECTION:

PAINT COLORS:



TRIM:

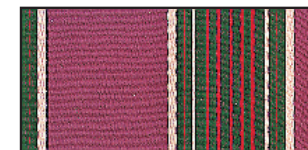
GLIDDEN: GRAPE THISTLE
(90RB 08/113)



TRIM:

GLIDDEN: WILDERNESS GREEN
(50GY 08/153)

AWNING:



SUNBRELLA: PLUM FANCY
(4909)

NOTE: The Illinois MAIN STREET Program, through the Illinois Historic Preservation Agency, has provided this free design assistance to qualified property/ business owners in the officially designated MAIN STREET project areas. The rendering on this sheet is a conceptual view of the facade renovation based on information supplied to the staff architect. Should obscured architectural details or problems be revealed during the work, the local project manager and/or the staff architect should be consulted.



ILLINOIS MAIN STREET

OFFICE OF LIEUTENANT GOVERNOR BOB KUSTRA
Architectural Services: Illinois Historic Preservation Agency
1 Old State Capitol Plaza/Springfield, Illinois 62701/217-782-9336

KHOURY BUILDING
2 WEST BURLINGTON
WESTMONT, ILLINOIS

EAST ELEVATION
NOT TO SCALE

Drawn By:

BSL

Project No.:

9724

Date:

5 - 97

Sheet: Of:

1 1