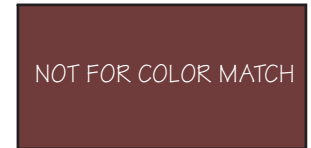




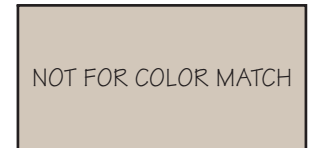
PROPOSED DESIGN

PAINT COLORS:



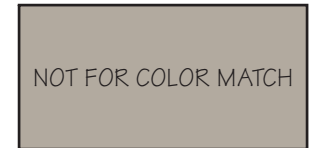
TRIM:

GLIDDEN: COLONIAL RED
(10YR 09/250)



TRIM:

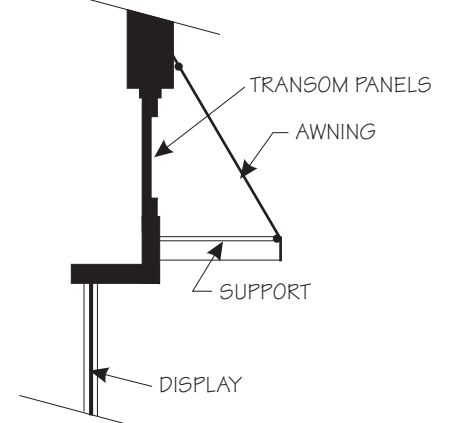
GLIDDEN: MUSHROOM CAP
(20YY 55/151)



BASE:

GLIDDEN: BROWN BAG
(10YY 35/196)

AWNING SECTION:



NOTE: The Illinois MAIN STREET Program, through the Illinois Historic Preservation Agency, has provided this free design assistance to qualified property/ business owners in the officially designated MAIN STREET project areas. The rendering on this sheet is a conceptual view of the facade renovation based on information supplied to the staff architect. Should obscured architectural details or problems be revealed during the work, the local project manager and/or the staff architect should be consulted.



ILLINOIS MAIN STREET
OFFICE OF LIEUTENANT GOVERNOR BOB KUSTRA
Architectural Services: Illinois Historic Preservation Agency
1 Old State Capitol Plaza/Springfield, Illinois 62701/217-782-9336

JOHNNY'S MENS CLOTHING
51 NORTH VERMILION
DANVILLE, ILLINOIS

WEST ELEVATION
NOT TO SCALE

Drawn By: BSL	Project No.: 9651
Date: REV. 10-98	Sheet: Of: 1 1