

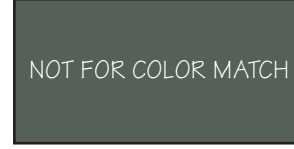


PROPOSED DESIGN

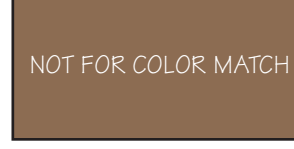
PAINT COLORS:



BASE:  
GLIDDEN: EASTER LILY  
(50YY 83/114)



TRIM:  
GLIDDEN: WILDERNESS GREEN  
(50GY 08/153)



TRIM:  
GLIDDEN: TOBACCO ROAD  
(80YR 13/227)



EXISTING CONDITION

NOTE: The Illinois MAIN STREET Program, through the Illinois Historic Preservation Agency, has provided this free design assistance to qualified property/ business owners in the officially designated MAIN STREET project areas. The rendering on this sheet is a conceptual view of the facade renovation based on information supplied to the staff architect. Should obscured architectural details or problems be revealed during the work, the local project manager and/or the staff architect should be consulted.



**ILLINOIS MAIN STREET**  
OFFICE OF LIEUTENANT GOVERNOR BOB KUSTRA  
*Architectural Services:* Illinois Historic Preservation Agency  
1 Old State Capitol Plaza/Springfield, Illinois 62701/217-782-9336

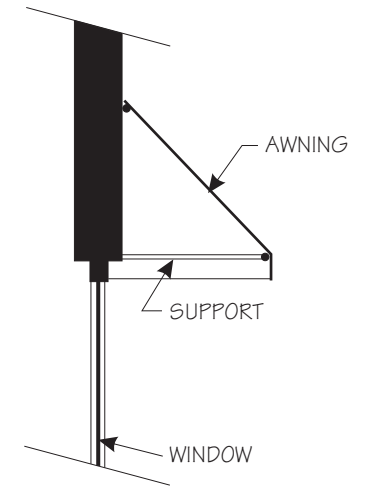
HICKEY MEMORIAL CHAPEL  
2429 WEST 127TH  
BLUE ISLAND, ILLINOIS

NORTH ELEVATION  
NOT TO SCALE

Drawn By: BSL	Project No.: 9705
Date: 6 - 97	Sheet: Of: 1 2



PROPOSED DESIGN



AWNING SECTION



EXISTING CONDITION

NOTE: The Illinois MAIN STREET Program, through the Illinois Historic Preservation Agency, has provided this free design assistance to qualified property/ business owners in the officially designated MAIN STREET project areas. The rendering on this sheet is a conceptual view of the facade renovation based on information supplied to the staff architect. Should obscured architectural details or problems be revealed during the work, the local project manager and/or the staff architect should be consulted.



**ILLINOIS MAIN STREET**

OFFICE OF LIEUTENANT GOVERNOR BOB KUSTRA  
*Architectural Services:* Illinois Historic Preservation Agency  
 1 Old State Capitol Plaza/Springfield, Illinois 62701/217-782-9336

HICKEY MEMORIAL CHAPEL  
 2429 WEST 127TH  
 BLUE ISLAND, ILLINOIS

EAST ELEVATION  
 NOT TO SCALE

Drawn By: BSL	Project No.: 9705
Date: 4 - 97	Sheet: Of: 2 2