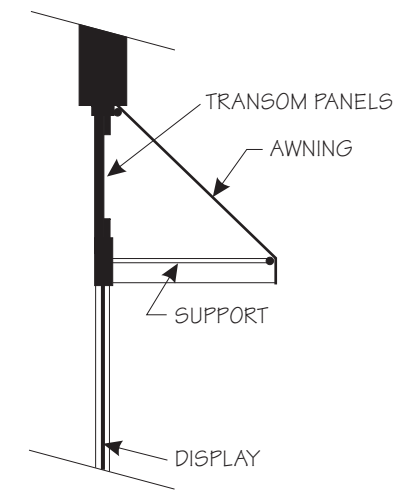




PROPOSED DESIGN

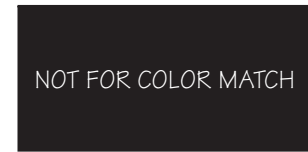


EXISTING CONDITION



AWNING SECTION

PAINT COLORS:



BASE:

GLIDDEN: DARK SECRET (00NN 05/000)



TRIM:

GLIDDEN: FOOL'S GOLD (20YY 39/419)

NOTE: The Illinois MAIN STREET Program, through the Illinois Historic Preservation Agency, has provided this free design assistance to qualified property/ business owners in the officially designated MAIN STREET project areas. The rendering on this sheet is a conceptual view of the facade renovation based on information supplied to the staff architect. Should obscured architectural details or problems be revealed during the work, the local project manager and/or the staff architect should be consulted.



ILLINOIS MAIN STREET

OFFICE OF LIEUTENANT GOVERNOR BOB KUSTRA
 Architectural Services: Illinois Historic Preservation Agency
 1 Old State Capitol Plaza/Springfield, Illinois 62701/217-782-9336

HEADQUARTERS
 13124 SOUTH WESTERN AVENUE
 BLUE ISLAND, ILLINOIS

EAST ELEVATION
 NOT TO SCALE

Drawn By: BSL	Project No.: 9750
Date: 6 - 97	Sheet: Of: 1 1