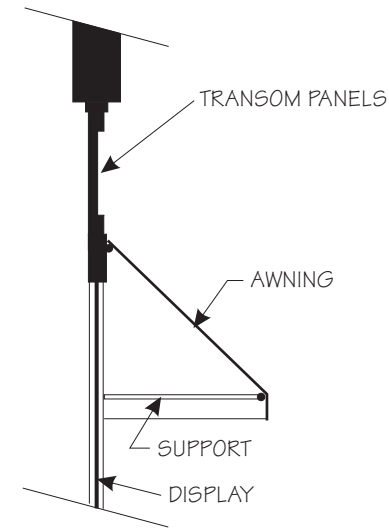




PROPOSED DESIGN

AWNING SECTION



EXISTING CONDITION

PAINT COLORS:



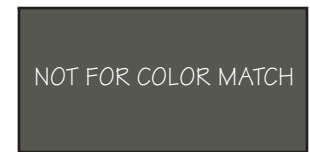
BASE:

ICI: CAMELCOAT
(20YY 43/200)



TRIM:

ICI: RATTAN TAN
(10YY 19/201)



TRIM:

ICI: BLACK SWAN
(50GY 06/077)

AWNING:



SUNBRELLA: 4920
(4920)

NOTE: The Illinois MAIN STREET Program, through the Illinois Historic Preservation Agency, has provided this free design assistance to qualified property/ business owners in the officially designated MAIN STREET project areas. The rendering on this sheet is a conceptual view of the facade renovation based on information supplied to the staff architect. Should obscured architectural details or problems be revealed during the work, the local project manager and/or the staff architect should be consulted.



ILLINOIS MAIN STREET

OFFICE OF LIEUTENANT GOVERNOR BOB KUSTRA
Architectural Services: Illinois Historic Preservation Agency
1 Old State Capitol Plaza/Springfield, Illinois 62701/217-782-9336

GRIESBAUM BUILDING

701 MAINE
QUINCY, ILLINOIS

SOUTH ELEVATION

NOT TO SCALE

Drawn By:

BP/BSL

Project No.:

97109

Date:

3-98

Sheet: Of:

1 1