

PROPOSED DESIGN



EXISTING CONDITION

PAINT COLOR:



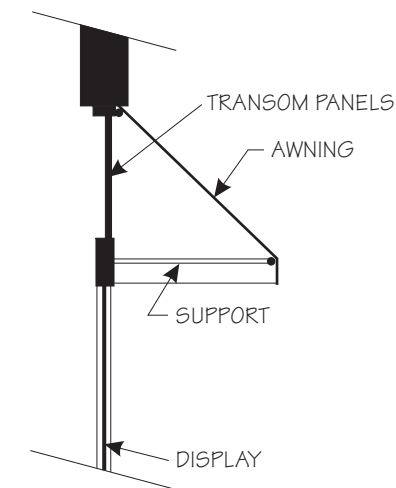
GLIDDEN: COFFEE BEAN
(80YR 11/151)

AWNINGS:



SUNBRELLA: PACIFIC BLUE
(4601)

SECTION:



NOTE: The Illinois MAIN STREET Program, through the Illinois Historic Preservation Agency, has provided this free design assistance to qualified property/ business owners in the officially designated MAIN STREET project areas. The rendering on this sheet is a conceptual view of the facade renovation based on information supplied to the staff architect. Should obscured architectural details or problems be revealed during the work, the local project manager and/or the staff architect should be consulted.



ILLINOIS MAIN STREET

OFFICE OF LIEUTENANT GOVERNOR BOB KUSTRA
Architectural Services: **Illinois Historic Preservation Agency**
1 Old State Capitol Plaza/Springfield, Illinois 62701/217-782-9336

GREEN MOTORS

226 NORTH CONGRESS
RUSHVILLE, ILLINOIS

EAST ELEVATION

NOT TO SCALE

Drawn By:
BSL

Project No.:
9609

Date:
10 - 96

Sheet: Of:
1 1