



PROPOSED DESIGN

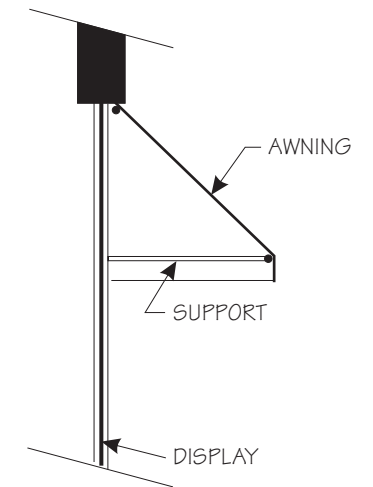
PAINT COLORS:



BASE:

GLIDDEN: ONIONSKIN TAN  
(00YY 37/221)

AWNING SECTION:



NOTE: The Illinois MAIN STREET Program, through the Illinois Historic Preservation Agency, has provided this free design assistance to qualified property/ business owners in the officially designated MAIN STREET project areas. The rendering on this sheet is a conceptual view of the facade renovation based on information supplied to the staff architect. Should obscured architectural details or problems be revealed during the work, the local project manager and/or the staff architect should be consulted.



**ILLINOIS MAIN STREET**

OFFICE OF LIEUTENANT GOVERNOR BOB KUSTRA  
Architectural Services: Illinois Historic Preservation Agency  
1 Old State Capitol Plaza/Springfield, Illinois 62701/217-782-9336

FIRST GLASS  
46 PUBLIC SQUARE  
GALESBURG, ILLINOIS

WEST ELEVATION  
NOT TO SCALE

Drawn By:  
BSL

Project No.:  
9693

Date:  
2 - 97

Sheet: Of:  
1 1