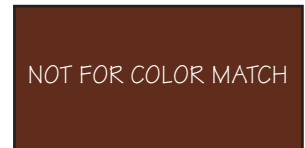


# PAINT COLORS:



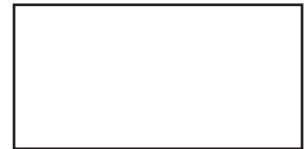
**BASE:**

GLIDDEN: BLACK BURGUNDY  
(30YR 09/146)



**TRIM:**

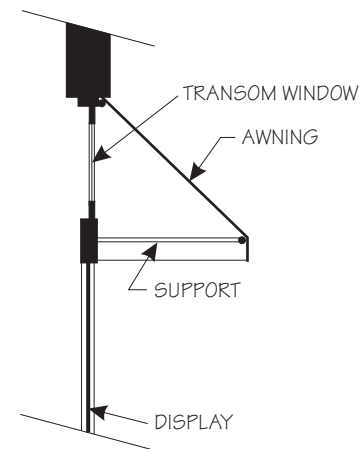
GLIDDEN: MISSISSIPPI DELTA  
(60YR 24/149)



**AWNING:**

SUNBRELLA: FOREST GREEN  
FANCY  
(STYLE 4790)

NOTE: The Illinois MAIN STREET Program, through the Illinois Historic Preservation Agency, has provided this free design assistance to qualified property/ business owners in the officially designated MAIN STREET project areas. The rendering on this sheet is a conceptual view of the facade renovation based on information supplied to the staff architect. Should obscured architectural details or problems be revealed during the work, the local project manager and/or the staff architect should be consulted.



## NEW AWNING SECTION:

## PROPOSED DESIGN



### ILLINOIS MAIN STREET

OFFICE OF LIEUTENANT GOVERNOR BOB KUSTRA  
Architectural Services: Illinois Historic Preservation Agency  
1 Old State Capitol Plaza/Springfield, Illinois 62701/217-782-9336

### CUTTERS HAIR SALON

225 WEST MAIN  
GENOA, ILLINOIS

### SOUTH ELEVATION

NOT TO SCALE

Drawn By:  
BSL

Project No.:  
9656

Date:  
9 - 96

Sheet: Of:  
1 1