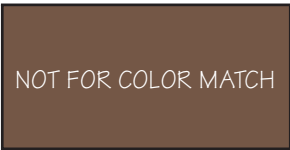


PAINT COLORS:



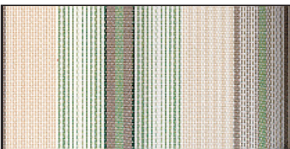
BASE:
ICI PAINTS: BLACK BURGUNDY
(30YR 09/146)



TRIM:
ICI PAINTS: SWEETWOOD
(90YR 26/147)



TRIM:
ICI PAINTS: MAIN STREET U.S.A.
(30GY 30/100)

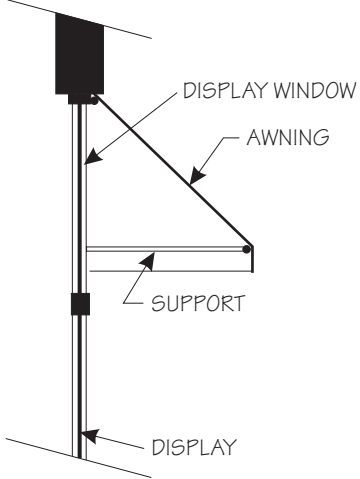


AWNING:
SUNBRELLA: SAGE TRANSITIONAL
(4913)

NOTE: The Illinois MAIN STREET Program, through the Illinois Historic Preservation Agency, has provided this free design assistance to qualified property/ business owners in the officially designated MAIN STREET project areas. The rendering on this sheet is a conceptual view of the facade renovation based on information supplied to the staff architect. Should obscured architectural details or problems be revealed during the work, the local project manager and/or the staff architect should be consulted.



PROPOSED DESIGN



AWNING SECTION



ILLINOIS MAIN STREET
OFFICE OF LIEUTENANT GOVERNOR BOB KUSTRA
Architectural Services: Illinois Historic Preservation Agency
1 Old State Capitol Plaza/Springfield, Illinois 62701/217-782-7459

BRIODY ENTERPRISES
511 WEST MAIN STREET
GENOA, ILLINOIS

SOUTH ELEVATION
NOT TO SCALE

Drawn By: BSL	Project No.: 9839
Date: 9/98	Sheet: Of: 1 1