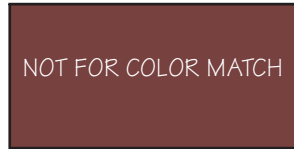


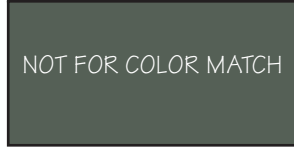
PAINT COLORS:



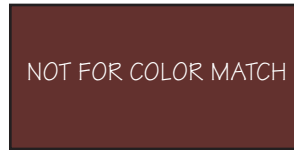
TRIM:
GLIDDEN: MUSHROOM CAP (20YY 55/151)



TRIM:
GLIDDEN: COLONIAL RED (10YR 09/250)

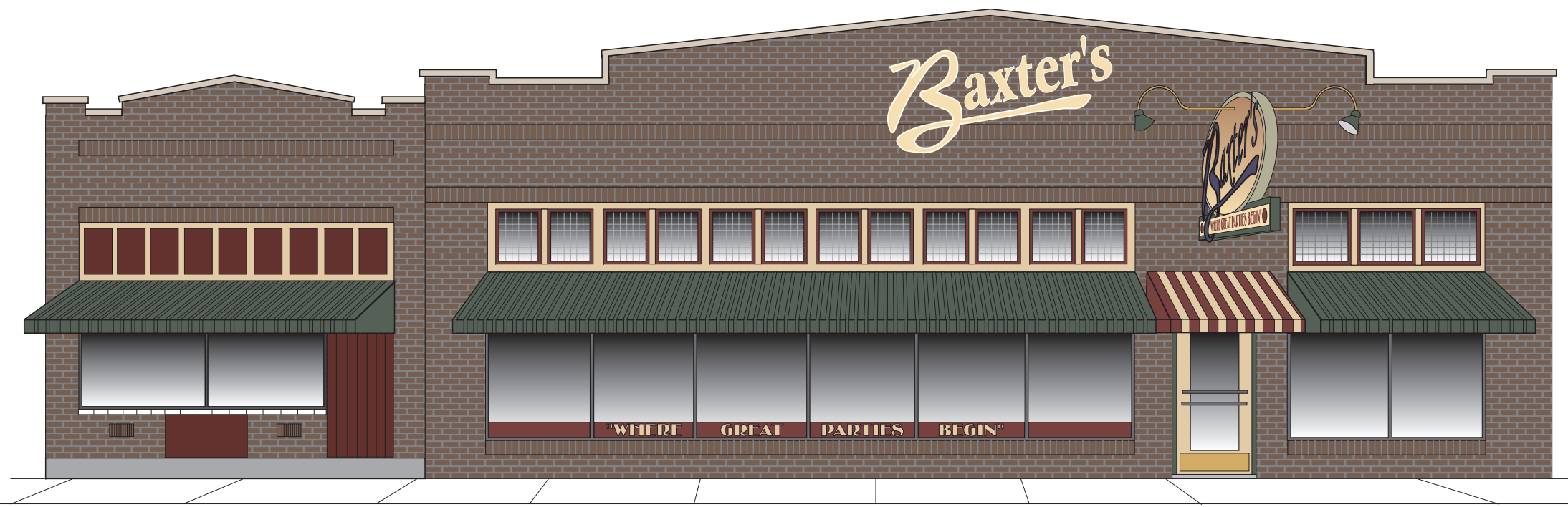


TRIM:
GLIDDEN: WILDERNESS GREEN (50GY 08/153)

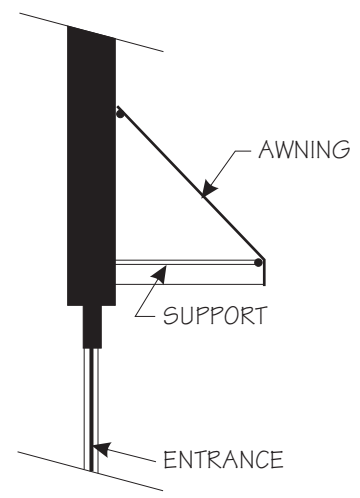


TRIM:
GLIDDEN: BLACK BURGUNDY (30YR 09/146)

NOTE: The Illinois MAIN STREET Program, through the Illinois Historic Preservation Agency, has provided this free design assistance to qualified property/ business owners in the officially designated MAIN STREET project areas. The rendering on this sheet is a conceptual view of the facade renovation based on information supplied to the staff architect. Should obscured architectural details or problems be revealed during the work, the local project manager and/or the staff architect should be consulted.



PROPOSED DESIGN



AWNING SECTION:



SIGN DESIGN:



ILLINOIS MAIN STREET
OFFICE OF LIEUTENANT GOVERNOR BOB KUSTRA
Architectural Services: Illinois Historic Preservation Agency
1 Old State Capitol Plaza/Springfield, Illinois 62701/217-782-9336

BAXTER'S
912 EAST BROADWAY
ALTON, ILLINOIS

SOUTH ELEVATION
NOT TO SCALE

Drawn By: BSL	Project No.: 9691
Date: 1 - 97	Sheet: Of: 1 1