

PROPOSED DESIGN



EXISTING CONDITION

NOTE: The Illinois MAIN STREET Program, through the Illinois Historic Preservation Agency, has provided this free design assistance to qualified property/ business owners in the officially designated MAIN STREET project areas. The rendering on this sheet is a conceptual view of the facade renovation based on information supplied to the staff architect. Should obscured architectural details or problems be revealed during the work, the local project manager and/or the staff architect should be consulted.



**ILLINOIS MAIN STREET**  
 OFFICE OF LIEUTENANT GOVERNOR CORINNE WOOD  
 Architectural Services: Illinois Historic Preservation Agency  
 1 Old State Capitol Plaza/Springfield, Illinois 62701/217-782-7459

ARCADE BUILDING  
 113 - 125 ADDISON  
 ELMHURST, ILLINOIS

WEST ELEVATION  
 NOT TO SCALE

Drawn By: BSL	Project No.: 9816
Date: 3 - 99	Sheet: Of: 1 2

Furnish and install new awning fabric and frame between columns as shown

Furnish and install new sconces on columns as shown. Sconces to be fabricated from corrugated metal to match building sign

Furnish and install new brick veneer at existing column locations

Furnish and install planters at column locations as shown



Furnish and install parapet cap. Cap to be black. Material as specified by contractor

Furnish and install new blond brick veneer facade. Brick to match existing blond brick found on south corner of building

Furnish and install new fascia material over existing lintel. Fascia to be painted black to match parapet cap

Furnish and install new display glazing to match original opening size

Existing bulkheads to remain

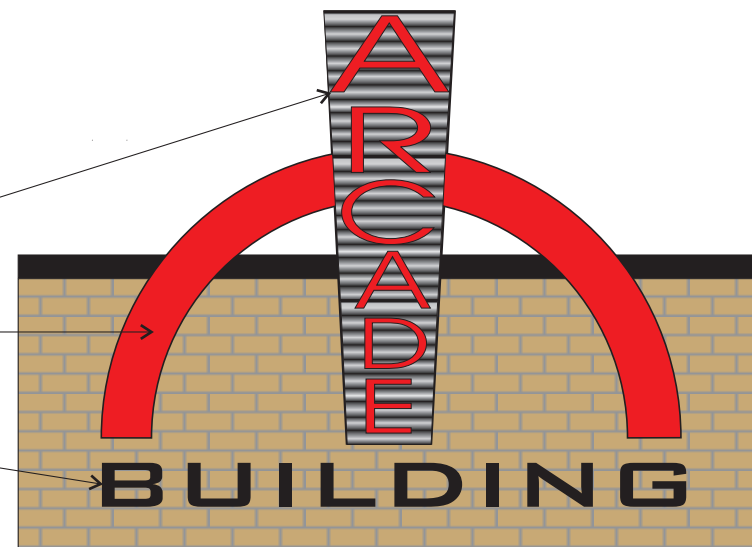
Furnish and install new bulkhead material to match existing

### STOREFRONT DESIGN

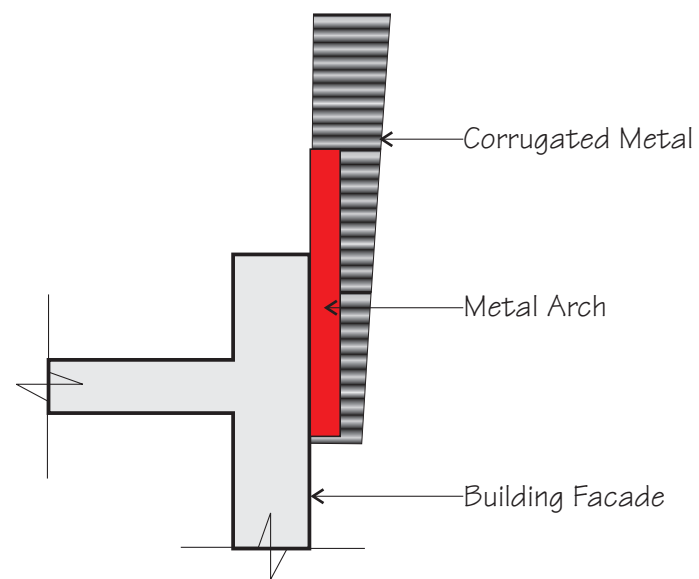
Custom fabricated sign with corrugated metal base with individual letters to spell 'ARCADE'

Custom fabricated metal arch component

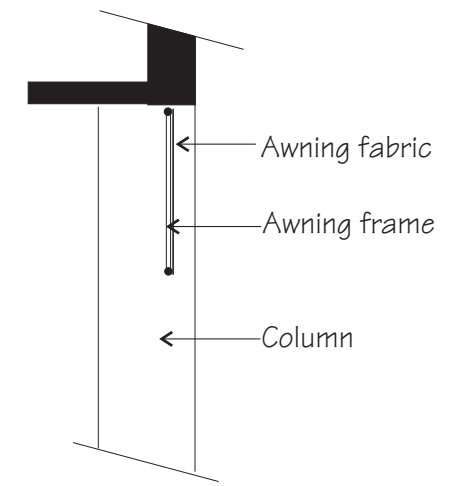
Individual sign letters to be attached to brick masonry veneer



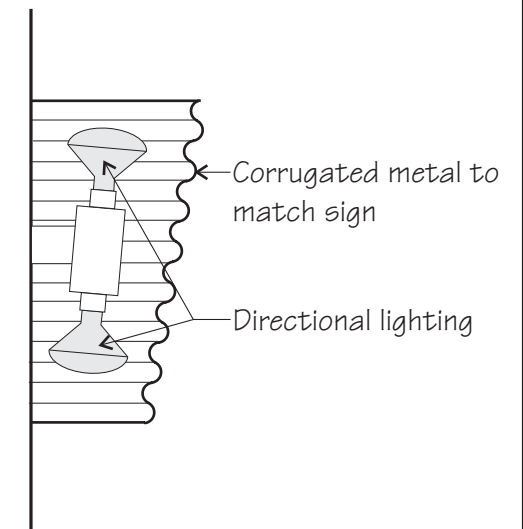
### SIGN DESIGN



### SIGN PROFILE



### AWNING SECTION



### COLUMN SCONCE SECTION

NOTE: The Illinois MAIN STREET Program, through the Illinois Historic Preservation Agency, has provided this free design assistance to qualified property/ business owners in the officially designated MAIN STREET project areas. The rendering on this sheet is a conceptual view of the facade renovation based on information supplied to the staff architect. Should obscured architectural details or problems be revealed during the work, the local project manager and/or the staff architect should be consulted.



## ILLINOIS MAIN STREET

OFFICE OF LIEUTENANT GOVERNOR BOB KUSTRA  
 Architectural Services: Illinois Historic Preservation Agency  
 1 Old State Capitol Plaza/Springfield, Illinois 62701/217-782-7459

## ARCADE BUILDING

113 - 125 ADDISON  
 ELMHURST, ILLINOIS

WEST ELEVATION  
 NOT TO SCALE

Drawn By: BSL	Project No.: 9816
Date: 3 - 99	Sheet: Of: 2 2