

**PAINT COLORS:**



**BASE:**

GLIDDEN: X  
(XXYY XX/XXX)



**TRIM:**

GLIDDEN: X  
(XXYY XX/XXX)



**DETAILS:**

GLIDDEN: X  
(XXYY XX/XXX)



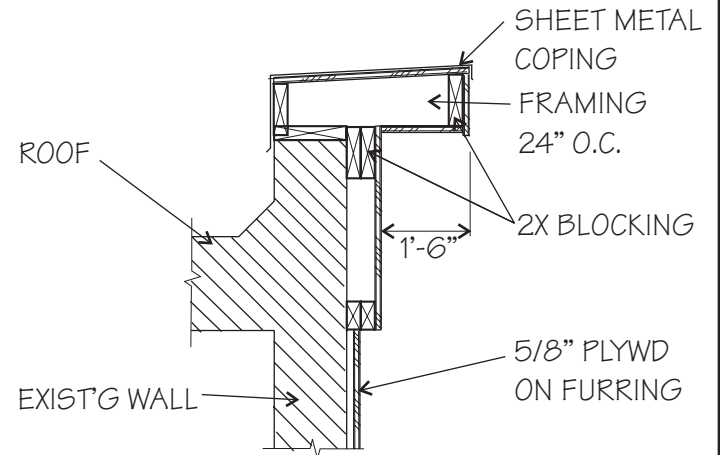
**PROPOSED ELEVATION**



SIGN



EXISTING CONDITIONS



CORNICE DETAIL  
NTS

NOTE: The Illinois MAIN STREET Program, through the Illinois Historic Preservation Agency, has provided this free design assistance to qualified property/ business owners in the officially designated MAIN STREET project areas. The rendering on this sheet is a conceptual view of the facade renovation based on information supplied to the staff architect. Should obscured architectural details or problems be revealed during the work, the local project manager and/or the staff architect should be consulted.



**ILLINOIS MAIN STREET**

OFFICE OF LIEUTENANT GOVERNOR CORRINE WOOD  
Architectural Services: **Illinois Historic Preservation Agency**  
1 Old State Capitol Plaza/Springfield, Illinois 62701/217-782-9336

**ALDRIGE & OZBURN**

INSURANCE AGENCY, 1331 WALNUT ST  
MURPHYSBORO, ILLINOIS

**NORTH ELEVATION**

Drawn By:

JAJ

Project No.:

9853

Date:

7/99

Sheet: Of:

1 1